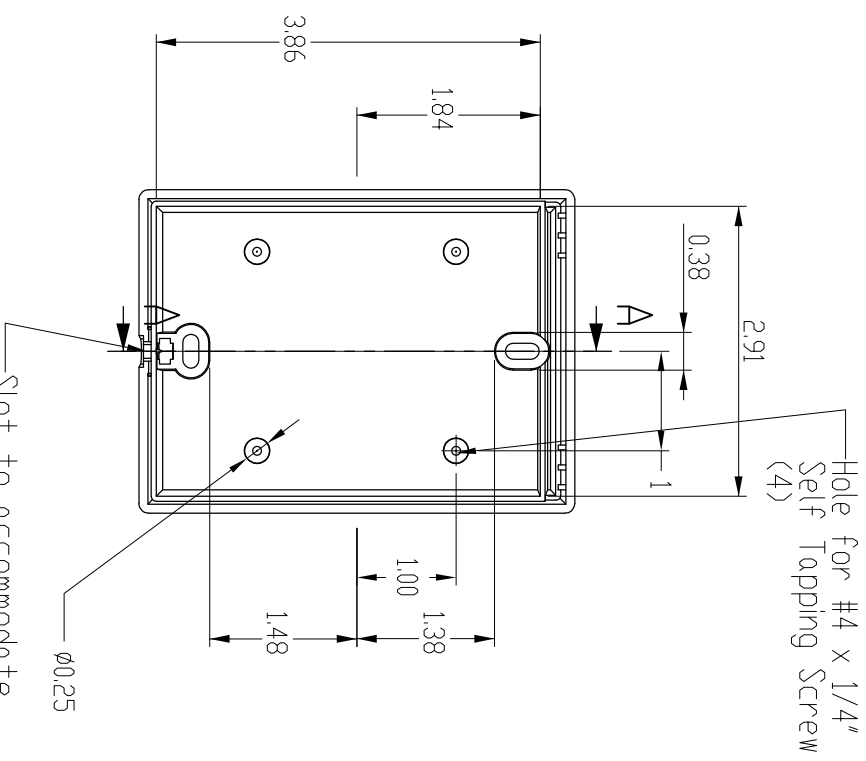
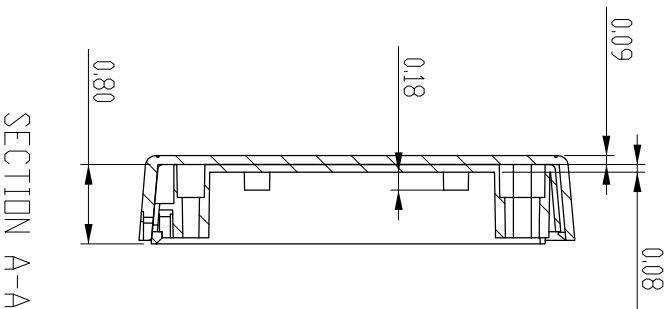
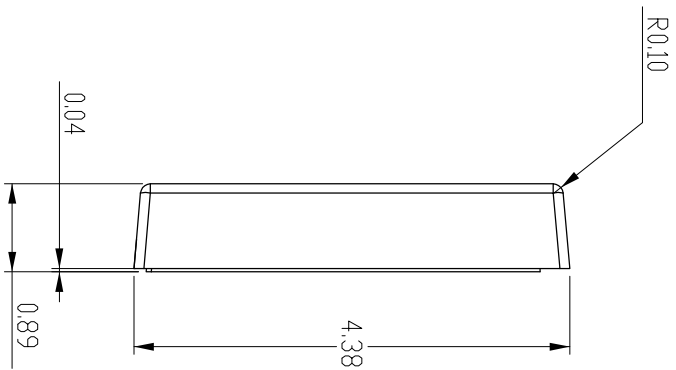
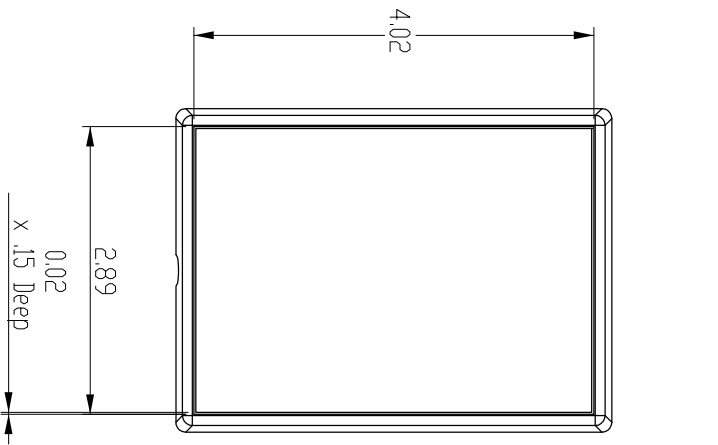
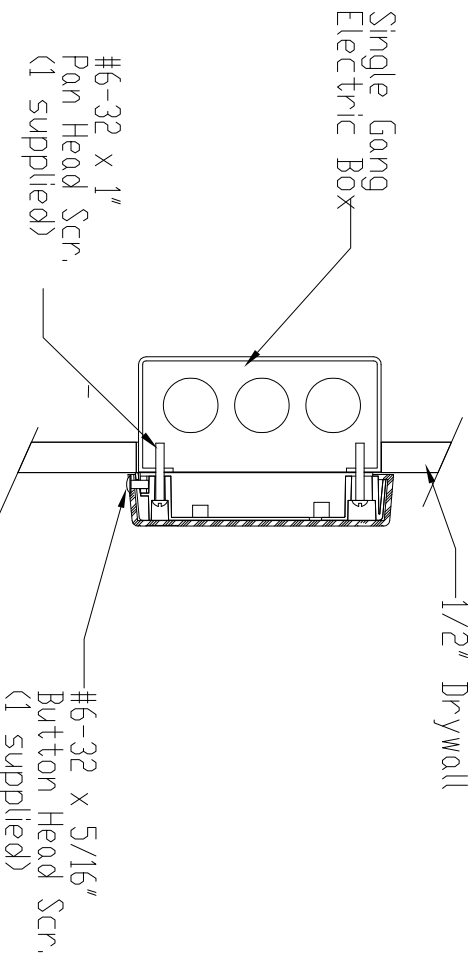
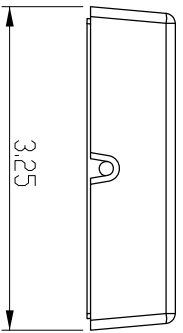


SERPAC G10

Electronic Enclosures



Hole for #4 x 1/4" Self Tapping Screw (4)



NOTES:

ALL DIMENSIONS ARE ± .010"
 619 Commercial Ave., Covina, CA 91723
 Ph. (626) 331-0517 Fax. (626) 331-8584 serpac.com
 6/05/08